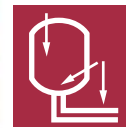


InClean. The measuring system with automatic sensor cleaning.



- side entry in reactors
- in pipes



- flanges ANSI, DIN, JIS, BS
- socket DN 25



- pH sensors
- Redox sensors

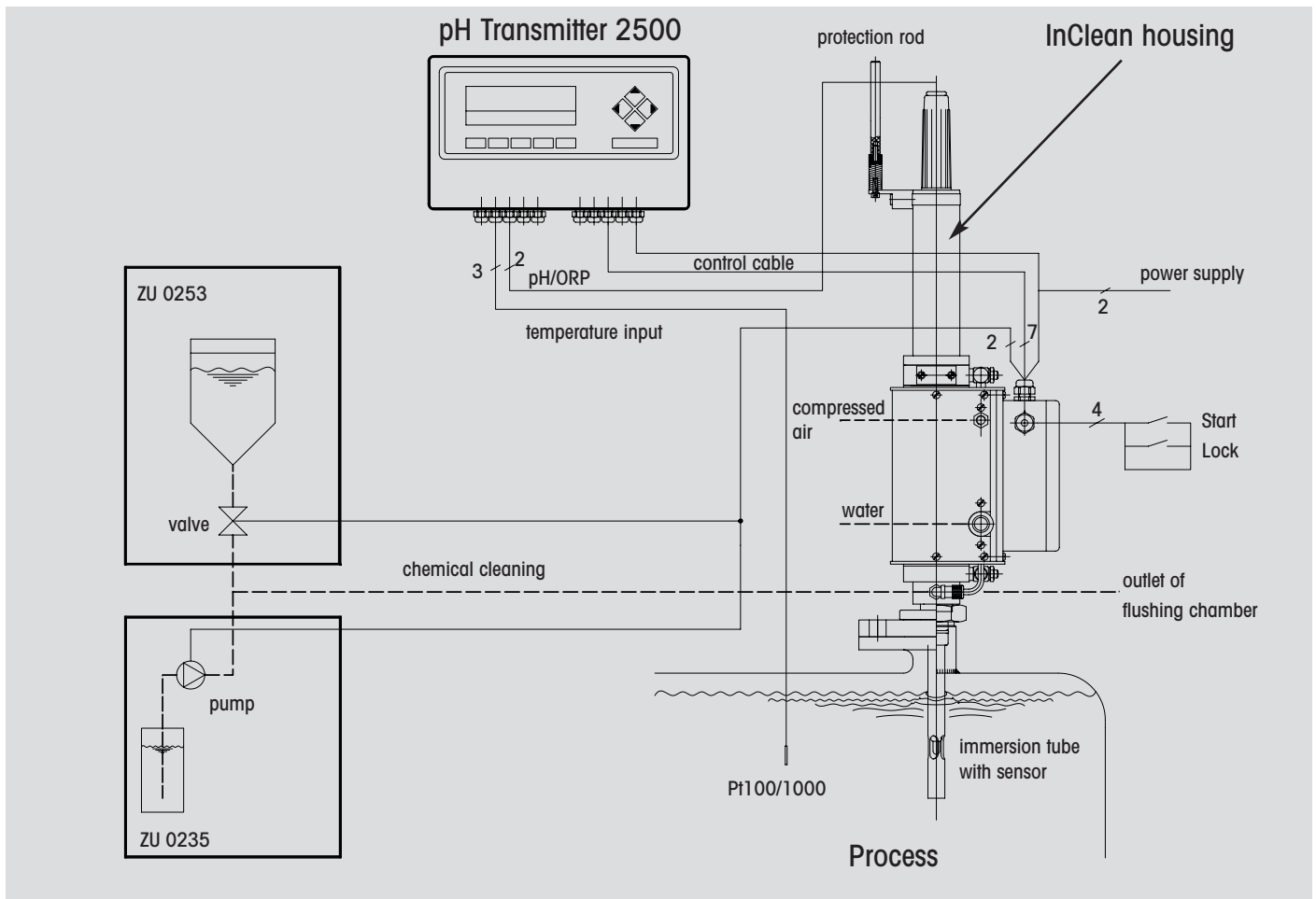


- complete and compact system
- easy to operate
- continuous system
- diagnostics

- Complete, easy to operate automatic measuring and cleaning system.
- Suitable for measurements in contaminated media.
- Safe and reliable measurements due to continuous system diagnostics.

METTLER TOLEDO

InClean. The complete and reliable measuring system.



InClean is a measuring system for the pH and Redox measurement with an automatic sensor cleaning function. With this system, increased lifetime of the sensor and decreased maintenance effort can be achieved. InClean adapts to every measuring site where sensor contamination is a problem. The following cleaning cycle can be started automatically or by remote control:

- drive sensor from measuring to cleaning position
- flush sensor with water
- clean sensor with agent
- check pH value during cleaning

InClean is a complete measuring system. All necessary valves and control parts are included. The whole system consists of two main components:

- pH Transmitter 2500
- InClean retractable housing

The pH Transmitter 2500 controls the system. The cleaning cycle is fully programmable; cleaning and flushing times can be selected. A cycle is started automatically by a timer, by the keyboard of the transmitter or by a remote control.

For operation, InClean needs a power supply, a pressure supply, water for flushing and, if necessary, a cleaning agent for the sensor. Due to the continuous system diagnostics, a high reliability of the system is achieved. The system diagnostics include a sensor diagnostic, a diagnostic of the position of the housing and a diagnostic of the transmitter.

Warranty

Defects occurring within 1 year from delivery date will be repaired free of charge at our factory (carriage and insurance paid by sender).

Ordering informations Housings	
	Designation
InClean 776 for sensors with liquid electrolyte, wetted parts made of 1.4435, seals Viton	InClean 776
InClean 776 for sensors with liquid electrolyte, wetted parts made of Ha-C22, seals Kalrez	InClean 776 Ha-C22/Ka
InClean 777 for sensors with solid or gel type electrolyte, wetted parts made of 1.4435, seals Viton	InClean 777
InClean 777 for sensors with solid or gel type electrolyte, wetted parts made of Ha-C22, seals Kalrez	InClean 777 Ha-C22/Ka
Connecting elements	
Flange DN 50 PN 16	D16-50
Flange DN 80 PN 16	D16-80
Flange DN 100 PN 16	D16-100
Flange ANSI 2" 150 lbs	A150-2"
Flange ANSI 3" 150 lbs	A150-3"
Flange ANSI 4" 150 lbs	A150-4"
Socket DN 25	No designation necessary
Options	
Power supply 24 V AC/DC	298
Power supply 115 V AC	363
Power supply 220 V AC	No designation necessary

Ordering informations Sensors		
	Designation	Order No.
pH sensor with liquid electrolyte for InClean 776	HA465-50-EQ-T-S7/450/9848	11 465 3150
Redox sensor with liquid electrolyte for InClean 776	Pt4865-50-S7/450	11 565 3017
pH sensor with solid electrolyte for InClean 777 (XEROLYT®)	HA405-DXK-S8/425	10 405 4465
Redox sensor with solid electrolyte for InClean 777 (XEROLYT®)	Pt4805-DXK-S8/425	10 505 3329
pH sensor with gel type electrolyte for InClean 777	HA405-DPA-SC-S8/425	10 405 4478
Redox sensor with gel type electrolyte for InClean 777	Pt4805-DPA-SC-S8/425	10 505 3340

Ordering informations Transmitters	
	Designation
pH Transmitter 2500 with InClean option	pH2500/404
Further transmitter options	
Second current output	350
RS 485 interface	351
Controller function	353
Logbook	354
Nominal zero point and slope of sensor user defined	356
Power supply 220 V AC	No designation necessary
Power supply 115 V AC	363
Power supply 24 V AC/DC	298
English display texts	348
French display texts	362
Mounting accessories	
Mounting plate	ZU 0126
Bracket kit (only together with mounting plate ZU 0126)	ZU 0125
Protective hood (only together with mounting plate ZU 0126)	ZU 0123

Ordering informations Accessories		
	Designation	Order No.
Sensor cable AS9 5 m		10 001 0502
Sensor cable AS9 10 m		10 001 1002
Sensor cable AS9 20 m		10 001 2006
Weld-in socket, DN 25, L=40 mm, 15° to horizontal, 1.4435		00 764 1014
Control cable 7 wires, 5 m	ZU 0236 5 m	
Control cable 7 wires, 10 m	ZU 0236 10 m	
Control cable 7 wires, 20 m	ZU 0236 20 m	
Valve and connection block for chemical cleaning	ZU 0234	
Pump with storage tank for chemical cleaning	ZU 0235	
Test cable with banana plugs for InClean	ZU 0237	

Ordering informations Spare parts		
	Designation	Order No.
	Seal set Viton for InClean housing	52 400 092
	Seal set Kalrez for InClean housing	52 400 093
	O-ring assembly tool	90 770 1790
	Position indication switch set for InClean housing	ZU 0239
	Connection box complete	ZU 0240
	Water valve	ZU 0241
	Pneumatic valve	ZU 0242

Housings in other materials and with other seals, other connecting elements, other sensors and cables are available on request.

To order your complete automatic measuring and cleaning system, choose the housing with the connecting element, the sensor, the transmitter, the cables and the accessories. Use the designation to order where no order number is indicated.

Examples:

InClean 777 A150-2"	InClean 777 housing flange connection ANSI 2"
pH2500/404/348/351/354	pH Transmitter 2500 with options 404,348, 351 and 354
ZU 0123	Protective hood for pH Transmitter 2500
ZU 0126	Mounting plate for protective hood
10 405 4465	XEROLYT® sensor HA405-DXK-S8/425
10 001 1002	Sensor cable AS9 10 m
ZU 0236 10 m	Control cable 10 m
ZU 0235	Pump with storage tank for chemical cleaning



Development, production and testing following ISO 9001. (Reg.-No. 10486)

Sales and service: